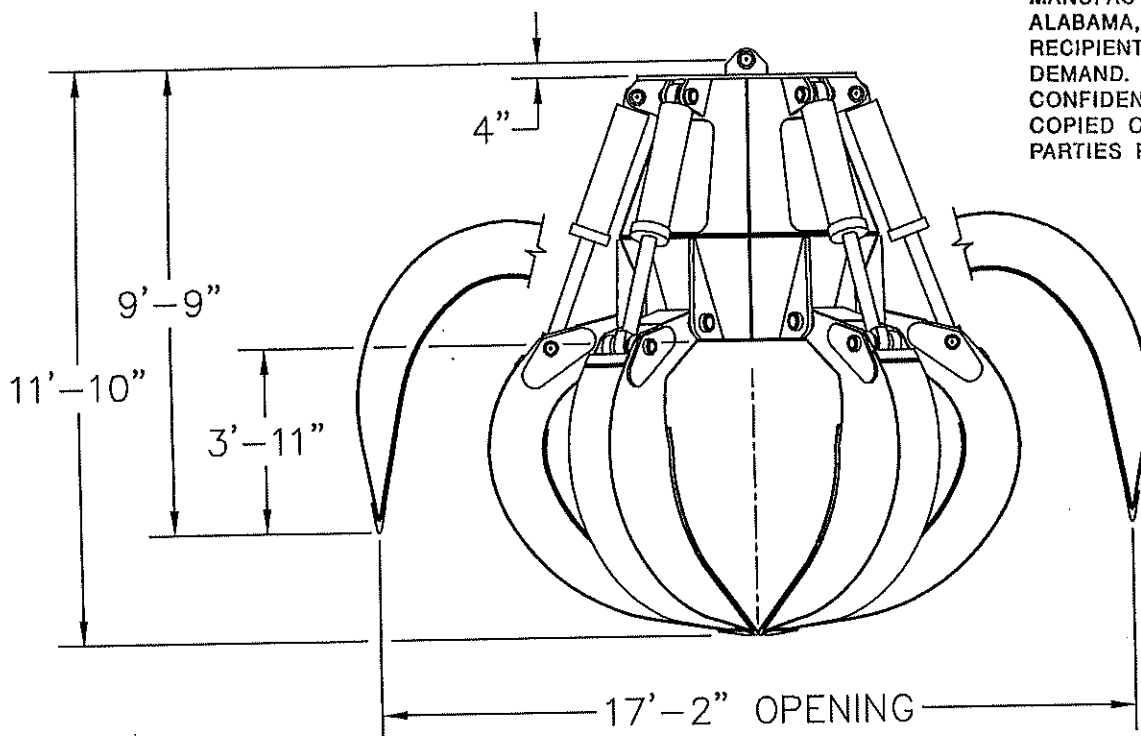


THIS PRINT IS THE PROPERTY OF MACK MANUFACTURING, INC., THEODORE, ALABAMA, AND IS LOANED TO THE RECIPIENT SUBJECT TO RETURN UPON DEMAND. IT'S CONTENTS ARE CONFIDENTIAL AND MUST NOT BE COPIED OR SUBMITTED TO OUTSIDE PARTIES FOR USE OR EXAMINATION.



CAPACITY: 12.5 CUBIC YARDS (9.5 CUBIC METERS).
NOTE: ALL DIMENSIONS ARE APPROXIMATE.

MACK MANUFACTURING THEODORE, AL	PHYSICAL DIMENSION OPISCH-1250-6	SCALE: N.T.S.	DRAWN BY: N. McELDERRY
		DATE: MARCH 21, 2017	DWG. NO. 1-1-33225A